

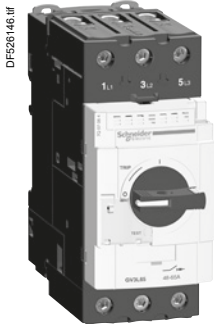
TeSys GV3

11 to 45 kW



TeSys protection components

Magnetic motor circuit breakers GV3L



GV3L65

Motor circuit breakers from 0.09 to 45 kW

GV3L: control by rotary knob, connection by EverLink® BTR screw connectors

Standard power ratings of 3-phase motors 50/60 Hz in category AC-3									Magnetic protection rating	Tripping current I _d ± 20 %	Use in association with thermal overload relay (class 10 A)	Reference
400/415 V			500 V			690 V						
P	I _{cu}	I _{cs} ⁽¹⁾	P	I _{cu}	I _{cs} ⁽¹⁾	P	I _{cu}	I _{cs} ⁽¹⁾				
kW	kA		kW	kA		kW	kA		A	A		
11	100	100	15	12	50	18.5	6	50	25	350	LRD 325	GV3L25
15	100	100	18.5	12	50	22	6	50	32	448	LRD 332	GV3L32
18.5	50	100	22	12	50	37	6	50	40	560	LRD 340	GV3L40
22	50	100	30	12	50	45	6	50	50	700	LRD 350	GV3L50
30	50	100	37	12	50	55	6	50	65	910	LRD 365	GV3L65
37	50	60	45	12	50	55	6	50	73	1120	LRD 380	GV3L73 ⁽²⁾
45	50	60	45	12	50	55	6	50	80	1100	LRD 380	GV3L80 ⁽²⁾⁽³⁾

Connection by EverLink® BTR screw connectors, for assembly with a contactor

To assemble a **GV3L25** to **L73** circuit breaker with an **LC1D40A** to **D80A** contactor, it is possible to use the circuit breaker supplied without downstream EverLink® power terminal block. To order this product, add the digit **1** to the end of the references selected above. Example: **GV3L73** becomes **GV3L731**. Do not use direct mounting between **GV3L80** and **LC1D80A** because of potential overheating, use cable link.

Connection by lugs

To order these circuit breakers with connection by lugs, add the digit **6** to the end of reference selected above. Example: **GV3L32** becomes **GV3L326**.

⁽¹⁾ As % of I_{cu}. Associated current limiter or fuses, where required. See characteristics page 24.

⁽²⁾ Available Q4 2017.

⁽³⁾ 750 A peak current max.

★ > 100 kA.

TeSys protection components

Thermal-magnetic motor circuit breakers GV3P

DF5261403.fr



GV3P651

PE116862.fr



GV3P80

Motor circuit breakers from 0.06 to 45 kW / 400 V

Standard power ratings of 3-phase motors
50/60 Hz in category AC-3

Standard power ratings of 3-phase motors 50/60 Hz in category AC-3									Setting range of thermal trips (2)	Magnetic tripping current I _d ± 20 %	Reference
400/415 V			500 V			690 V					
P	I _{cu}	I _{cs} (1)	P	I _{cu}	I _{cs} (1)	P	I _{cu}	I _{cs} (1)			
kW	kA	%	kW	kA	%	kW	kA	%	A	A	
GV3P: control by rotary knob											
Connection by EverLink® BTR screw connectors (3)											
5.5	100	100	7.5	12	50	11	6	50	9...13	182	GV3P13
7.5	100	100	9	12	50	15	6	50	12...18	252	GV3P18
11	100	100	15	12	50	18.5	6	50	17...25	350	GV3P25
15	100	100	18.5	12	50	22	6	50	23...32	448	GV3P32
18.5	50	100	22	12	50	37	6	50	30...40	560	GV3P40
22	50	100	30	12	50	45	6	50	37...50	700	GV3P50
30	50	100	45	12	50	55	6	50	48...65	910	GV3P65
37	50	60	45	12	50	55	6	50	62...73	1120	GV3P73 (4)
45	50	60	45	12	50	55	6	50	70...80	1120	GV3P80 (4)(5)

Connection by EverLink® BTR screw connectors, for assembly with a contactor

To assemble a **GV3P13** to **P73** circuit breaker with an **LC1D40A** to **D73A** contactor, it is possible to use the circuit breaker supplied without downstream EverLink® power terminal block. To order this product, add the digit **1** to the end of the references selected above. Example: **GV3P73** becomes **GV3P731**. Do not use direct mounting between **GV3P80** and **LC1D80A** because of potential overheating, use cable link.

Connection by lugs

To order thermal magnetic circuit breakers with connection by lugs, add the digit **6** to the end of reference selected above. Example: **GV3P18** becomes **GV3P186**.

Motor circuit breakers up to 50 hp / 600 V, UL 60947-4-1 type E

GV3 (6)

To obtain a motor-circuit breaker GV3P, UL 60947-4-1 type E, use the following with the circuit breaker:

- a "Large Spacing" cover **GV3G66**,
- a short-circuit signalling contact **GVAM11**.

GV3 with connection by lugs (6)

To obtain a motor-circuit breaker GV3P, UL 60947-4-1 type E, with connection by lugs, add the digit **6** to the end of reference selected above and use the following with the circuit breaker:

- two IP 20 covers **LAD96570**,
- a short-circuit signalling contact **GVAM11**.

(1) As % of I_{cu}.

(2) The thermal trip setting must be within the range marked on the graduated knob.

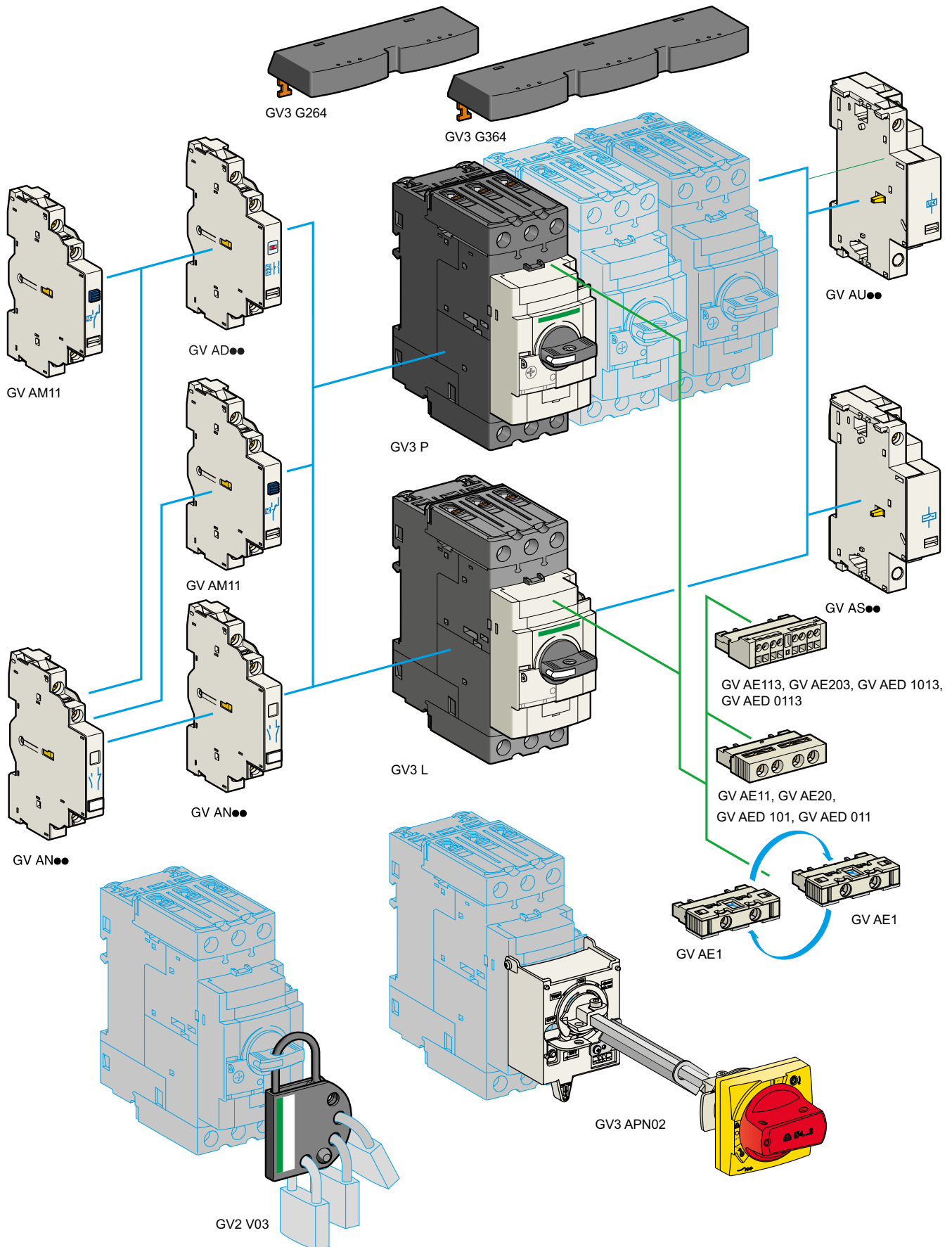
(3) BTR screws: hexagon socket head. Require use of an insulated Allen key, in compliance with local wiring regulations.

(4) Available Q4 2017.

(5) 750 A peak current max.

(6) Accessories: see page 25.

★ > 100 kA.

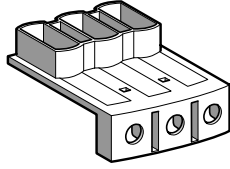


TeSys protection components

Thermal-magnetic motor circuit breakers GV3P and GV3L

Add-on blocks and accessories

DF537424.eps



GV3G66

Contact blocks						
Description	Mounting	Maximum number	Type of contacts	Sold in lots of	Unit reference	
Instantaneous auxiliary contacts	Front	1	N/O or N/C ⁽¹⁾	10	GVAE1	
			N/O + N/C	10	GVAE11 ⁽²⁾	
			N/O + N/O	10	GVAE20 ⁽²⁾	
	Side (LH)	2	N/O + N/C	1	GVAN11 ⁽²⁾	
			N/O + N/O	1	GVAN20 ⁽²⁾	
Fault signalling contact + instantaneous auxiliary contact	Front	1	N/O (fault) + N/O	1	GVAED101 ⁽²⁾	
			N/O (fault) + N/C	1	GVAED011 ⁽²⁾	
	Side ⁽³⁾ (LH)	1	N/O (fault) + N/O	1	GVAD1010	
			+ N/C	1	GVAD1001	
			N/C (fault) + N/O	1	GVAD0110	
			+ N/C	1	GVAD0101	
Short-circuit signalling contact	Side (LH)	1	C/O common point	1	GVAM11	

Electric trips - undervoltage or shunt ⁽⁴⁾			
Mounting	Voltage		Reference
Side (1 block on RH side of circuit breaker)	24 V	50 Hz	GVA●025
		60 Hz	GVA●026
	48 V	50 Hz	GVA●055
		60 Hz	GVA●056
	100	50 Hz	GVA●107
	100...110 V	60 Hz	GVA●107
	110...115 V	50 Hz	GVA●115
		60 Hz	GVA●116
	120...127 V	50 Hz	GVA●125
	127 V	60 Hz	GVA●115
	200 V	50 Hz	GVA●207
	200...220 V	60 Hz	GVA●207
	220...240 V	50 Hz	GVA●225
		60 Hz	GVA●226
	380...400 V	50 Hz	GVA●385
		60 Hz	GVA●386
	415...440 V	50 Hz	GVA●415
	415 V	60 Hz	GVA●416
	440 V	60 Hz	GVA●385
	480 V	60 Hz	GVA●415
500 V	50 Hz	GVA●505	
600 V	60 Hz	GVA●505	

Accessories			
Description			Reference
Set of 3-pole busbars I _e = 115 A Pitch: 64 mm	2 tap-off	GV3P●● and GV3L●●	GV3G264
	3 tap-off	GV3P●● and GV3L●●	GV3G364
Cover "Large Spacing" UL 60947-4-1 type E (Only one cover required on supply side)		GV3P●●	GV3G66

- (1) Choice of N/C or N/O contact operation, depending on which way round the reversible block is mounted.
- (2) Contact blocks available in version with spring terminal connections. Add a figure 3 at the end of the references selected above.
Example: **GVAED101** becomes **GVAED1013**.
- (3) The **GVAD●●** is always mounted next to the circuit breaker.
- (4) To order an undervoltage trip: replace the dot (●) in the reference with a **U**, example: **GVAU025**.
To order a shunt trip: replace the dot (●) in the reference with an **S**, example: **GVAS025**.

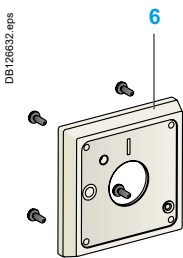
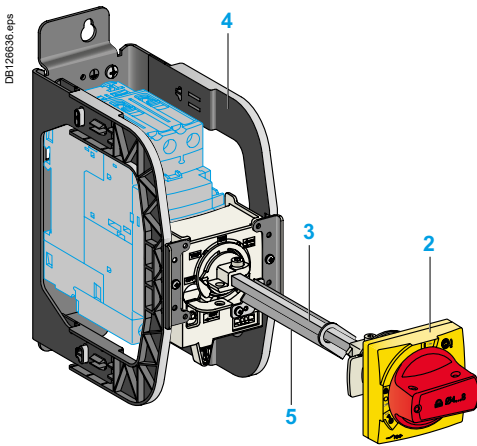
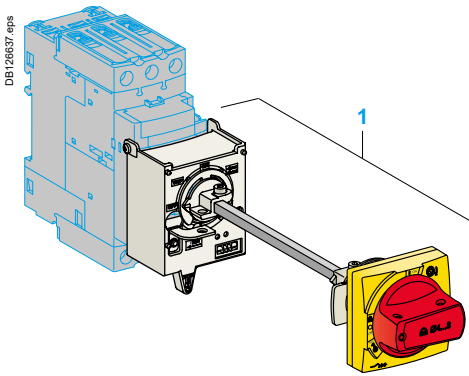


Limited torque throwaway bits

Torque limiting breakaway bits		
Description	Sold in lots of	Reference
5 N.m Yellow	6	LV426992
9 N.m Green	6	LV426990

TeSys protection components

Thermal-magnetic motor circuit breakers GV3P and GV3L



Extended Rotary Handle

Allows a circuit breaker or a starter-controller installed in back of an enclosure to be operated from the front of the enclosure.

A rotary handle can be black or red/yellow, IP54 or IP65. It includes a function for locking the circuit breaker or the starter in the O (Off) or I (On) position (depending of the type of rotary handle) by means of up to 3 padlocks with a shank diameter of 4 to 8 mm. The extended shaft must be adjusted to use in different size enclosures. The IP54 rotary handle is fixed with a nut (Ø22) to make easier the assembling. The new Laser Square tool brings the accuracy to align the circuit breaker and the rotary handle.

Padlockable external operators for GV3 and GV3L

Description

- 1 Kit handle + mounting system
- 2 Universal handle
- 3 Shaft
- 4 Bracket
- 5 Shaft support plate for deep enclosure
- 6 Retrofit accessory
- 7 Laser Square accessory

Kit handle + mounting system

Description	Item	Reference
For GV3P/L Black handle, front plate, with trip status, IP 54	1	GV3APN01
Red handle, front plate, with trip status, IP 54	1	GV3APN02
Black handle, front plate, without trip status, IP65	1	GV3APN03
Red handle, front plate, without trip status, IP 65	1	GV3APN04

Universal handle

For GV3P/L Black handle, with trip status, IP54	2	GVAPB54
Red handle, with trip status, IP54	2	GVAPR54
Black handle, without trip status, IP65	2	GVAPB65
Red handle, without trip status IP65	2	GVAPR65

Shaft

For GV3P/L L = 315 mm	3	GVAPA1
-----------------------	---	--------

Bracket

For GV3P/L	4	GVAPH03
------------	---	---------

Shaft support plate for deep enclosure

For GV3P/L Depth ≥ 300 mm	5	GVAPK12
---------------------------	---	---------

Retrofit accessory

For GV3P/L	6	GVAPP1
------------	---	--------

Laser Square accessory

For GV3P/L	7	GVAPL01
------------	---	---------

Sticker	Sold in lots of			
Warning label	For French	10	-	GVAPSF
	For English	10	-	GVAPSE
	For German	10	-	GVAPSD
	For Spanish	10	-	GVAPSE
	For Chinese	10	-	GVAPSC
	For Portuguese	10	-	GVAPSP
	For Russian	10	-	GVAPSR
	For Italian	10	-	GVAPSI

TeSys GV2

0.06 to 15 kW



TeSys protection components

Magnetic motor circuit breakers GV2L



GV2L10

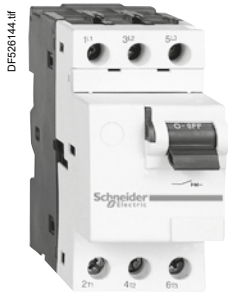
Motor circuit breakers from 0.09 to 15 kW												
GV2L: Control by rotary knob, connection by screw clamp terminals												
Standard power ratings of 3-phase motors 50/60 Hz in category AC-3									Magnetic protection rating	Tripping current I _d ± 20 %	Use in association with thermal overload relay (class 10 A)	Reference
400/415 V			500 V			690 V						
P	I _{cu}	I _{cs} ⁽¹⁾	P	I _{cu}	I _{cs} ⁽¹⁾	P	I _{cu}	I _{cs} ⁽¹⁾				
kW	kA		kW	kA		kW	kA		A	A		
0.09	*	*	-	-	-	-	-	-	0.4	5	LRD 03	GV2L03
0.12	*	*	-	-	-	0.37	*	*	0.63	8	LRD 04	GV2L04
0.18	*	*	-	-	-	-	-	-	0.63	8	LRD 04	GV2L04
-	-	-	-	-	-	0.55	*	*	1	13	LRD 05	GV2L05
0.25	*	*	-	-	-	-	-	-	1	13	LRD 05	GV2L05
-	-	-	-	-	-	0.75	*	*	1	13	LRD 06	GV2L05
0.37	*	*	0.37	*	*	-	-	-	1	13	LRD 05	GV2L05
0.55	*	*	0.55	*	*	1.1	*	*	1.6	22.5	LRD 06	GV2L06
-	-	-	0.75	*	*	-	-	-	1.6	22.5	LRD 06	GV2L06
0.75	*	*	1.1	*	*	1.5	4	100	2.5	33.5	LRD 07	GV2L07
1.1	-	-	-	-	-	-	-	-	-	-	LRD 08	GV2L08
1.5	*	*	1.5	*	*	3	4	100	4	51	LRD 08	GV2L08
-	-	-	-	-	-	-	-	-	-	-	LRD 08	GV2L08
2.2	*	*	3	*	*	4	4	100	6.3	78	LRD 10	GV2L10
3	*	*	4	10	100	5.5	4	100	10	138	LRD 12	GV2L14
4	-	-	-	-	-	-	-	-	-	-	LRD 14	GV2L14
-	-	-	-	-	-	7.5	4	100	10	138	LRD 14	GV2L14
-	-	-	-	-	-	9	4	100	14	170	LRD 16	GV2L16
5.5	50	50	7.5	10	75	11	4	100	14	170	LRD 16	GV2L16
7.5	50	50	9	10	75	15	4	100	18	223	LRD 21	GV2L20
9	50	50	11	10	75	18.5	4	100	25	327	LRD 22	GV2L22
11	50	50	15	10	75	-	-	-	25	327	LRD 22	GV2L22
15	50	50	18.5	10	75	22	4	100	32	416	LRD 32	GV2L32

(1) As % of I_{cu}. Associated current limiter or fuses, where required. See characteristics page.

* > 100 kA.

TeSys protection components

Magnetic motor circuit breakers GV2LE



GV2LE10

Magnetic motor circuit breakers from 0.06 to 15 kW												
GV2LE: control by rocker lever, connection by screw clamp terminals												
Standard power ratings of 3-phase motors 50/60 Hz in category AC-3									Magnetic protection rating	Tripping current I _d ± 20 %	Use in association with thermal overload relay	Reference
400/415 V			500 V			690 V						
P	I _{cu}	I _{cs} ⁽¹⁾	P	I _{cu}	I _{cs} ⁽¹⁾	P	I _{cu}	I _{cs} ⁽¹⁾	A	A		
kW	kA		kW	kA		kW	kA		A	A		
0.06	*	*	-	-	-	-	-	-	0.4	5	LR2 K0302	GV2LE03
0.09	*	*	-	-	-	-	-	-	0.4	5	LR2 K0304	GV2LE03
0.12	*	*	-	-	-	0.37	*	*	0.63	8	LR2 K0304	GV2LE04
0.18	*	*	-	-	-	-	-	-	0.63	8	LR2 K0305	GV2LE04
-	-	-	-	-	-	0.55	*	*	1	13	LR2 K0305	GV2LE05
0.25	*	*	-	-	-	-	-	-	1	13	LR2 K0306	GV2LE05
-	-	-	-	-	-	0.75	*	*	1	13	LR2 K0306	GV2LE05
0.37	*	*	0.37	*	*	-	-	-	1	13	LR2 K0306	GV2LE05
0.55	*	*	0.55	*	*	1.1	*	*	1.6	22.5	LR2 K0307	GV2LE06
-	-	-	0.75	*	*	-	-	-	1.6	22.5	LR2 K0307	GV2LE06
0.75	*	*	1.1	*	*	1.5	3	75	2.5	33.5	LR2 K0308	GV2LE07
1.1	*	*	-	-	-	-	-	-	2.5	33.5	LR2 K0308	GV2LE07
1.5	*	*	1.5	*	*	3	3	75	4	51	LR2 K0310	GV2LE08
-	-	-	2.2	*	*	-	-	-	4	51	LR2 K0312	GV2LE08
2.2	*	*	3	50	100	4	3	75	6.3	78	LR2 K0312	GV2LE10
3	*	*	4	10	100	5.5	3	75	10	138	LR2 K0314	GV2LE14
4	*	*	5.5	10	100	-	-	-	10	138	LR2 K0316	GV2LE14
-	-	-	-	-	-	7.5	3	75	10	138	LRD 14	GV2LE14
-	-	-	-	-	-	9	3	75	14	170	LRD 16	GV2LE16
5.5	15	50	7.5	6	75	11	3	75	14	170	LR2 K0321	GV2LE16
7.5	15	50	9	6	75	15	3	75	18	223	LRD 21	GV2LE20
9	15	40	11	4	75	18.5	3	75	25	327	LRD 22	GV2LE22
11	15	40	15	4	75	-	-	-	25	327	LRD 22	GV2LE22
15	10	50	18.5	4	75	22	3	75	32	416	LRD 32	GV2LE32

(1) As % of I_{cu}.
 * > 100 kA.

TeSys protection components

Thermal-magnetic motor circuit breakers GV2ME



GV2ME10

Motor circuit breakers from 0.06 to 15 kW / 400 V, with screw clamp terminals

GV2ME with pushbutton control

Standard power ratings of 3-phase motors
50/60 Hz in category AC-3

400/415 V			500 V			690 V			Setting range of thermal trips (2)	Magnetic tripping current I _d ± 20 %	Reference
P	I _{cu}	I _{cs} (1)	P	I _{cu}	I _{cs} (1)	P	I _{cu}	I _{cs} (1)			
kW	kA	%	kW	kA	%	kW	kA	%	A	A	
–	–	–	–	–	–	–	–	–	0.1...0.16	1.5	GV2ME01
0.06	*	*	–	–	–	–	–	–	0.16...0.25	2.4	GV2ME02
0.09	*	*	–	–	–	–	–	–	0.25...0.40	5	GV2ME03
0.12	*	*	–	–	–	0.37	*	*	0.40...0.63	8	GV2ME04
0.18	*	*	–	–	–	–	–	–			
0.25	*	*	–	–	–	0.55	*	*	0.63...1	13	GV2ME05
0.37	*	*	0.37	*	*	–	–	–	1...16	22.5	GV2ME06
0.55	*	*	0.55	*	*	0.75	*	*			
–	–	–	0.75	*	*	1.1	*	*	1.6...2.5	33.5	GV2ME07
0.75	*	*	1.1	*	*	1.5	3	75			
1.1	*	*	1.5	*	*	2.2	3	75	2.5...4	51	GV2ME08
1.5	*	*	2.2	*	*	3	3	75			
2.2	*	*	3	50	100	4	3	75	4...6.3	78	GV2ME10
3	*	*	4	10	100	5.5	3	75	6...10	138	GV2ME14
4	*	*	5.5	10	100	7.5	3	75			
5.5	15	50	7.5	6	75	9	3	75	9...14	170	GV2ME16
–	–	–	–	–	–	11	3	75			
7.5	15	50	9	6	75	15	3	75	13...18	223	GV2ME20
9	15	40	11	4	75	18.5	3	75	17...23	327	GV2ME21
11	15	40	15	4	75	–	–	–	20...25	327	GV2ME22 (3)
15	10	50	18.5	4	75	22	3	75	24...32	416	GV2ME32

Motor circuit breakers from 0.06 to 15 kW / 400 V, with lugs

To order thermal magnetic circuit breakers with connection by lugs, add the digit **6** to the end of reference selected above.

Example: **GV2ME08** becomes **GV2ME086**.

Thermal magnetic circuit breakers GV2 ME with built-in auxiliary contact block

With instantaneous auxiliary contact block (composition, see page 14):

■ GV AE1, add suffix **AE1TQ** to the motor circuit breaker reference selected above.

Example: **GV2ME01AE1TQ**.

■ GV AE11, add suffix **AE11TQ** to the motor circuit breaker reference selected above.

Example: **GV2ME01AE11TQ**.

■ GV AN11, add suffix **AN11TQ** to the motor circuit breaker reference selected above.

Example: **GV2ME01AN11TQ**.

These circuit breakers with built-in contact block are sold in lots of 20 units in a single pack.

(1) As % of I_{cu}.

(2) The thermal trip setting must be within the range marked on the graduated knob.

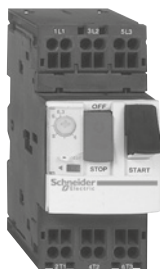
(3) Maximum rating which can be mounted in enclosures **GV2MC** or **MP**, please consult your Regional Sales Office.

* > 100 kA.

TeSys protection components

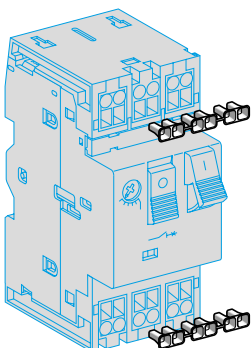
Thermal-magnetic motor circuit breakers GV2ME

DF526135.fr



GV2ME●●3

DF533896.eps



LA9 D99

Motor circuit breakers from 0.06 to 11 kW, with spring terminal connections

GV2ME ⁽¹⁾ with pushbutton control									
Standard power ratings of 3-phase motors 50/60 Hz in category AC-3						Setting range of thermal trips ⁽³⁾	Magnetic tripping current I _d ± 20 %	Reference	
400/415 V			500 V						
P	I _{cu}	I _{cs} ⁽²⁾	P	I _{cu}	I _{cs} ⁽²⁾				
kW	kA	%	kW	kA	%	A	A		
-	-	-	-	-	-	0.1...0.16	1.5	GV2ME013	
0.06	*	*	-	-	-	0.16...0.25	2.4	GV2ME023	
0.09	*	*	-	-	-	0.25...0.40	5	GV2ME033	
0.12	*	*	-	-	-	0.40...0.63	8	GV2ME043	
0.18	*	*	-	-	-				
0.25	*	*	0.37	*	*	0.63...1	13	GV2ME053	
0.37	*	*							
0.37	*	*	0.37	*	*	1...1.6	22.5	GV2ME063	
0.55	*	*	0.55	*	*				
			0.75	*	*				
0.75	*	*	1.1	*	*	1.6...2.5	33.5	GV2ME073	
1.1	*	*	1.5	*	*	2.5...4	51	GV2ME083	
1.5	*	*	2.2	*	*				
2.2	*	*	3	50	100	4...6.3	78	GV2ME103	
3	*	*	4	10	100	6...10	138	GV2ME143	
4	*	*	5.5	10	100				
5.5	15	50	7.5	6	75	9...14	170	GV2ME163	
7.5	15	50	9	6	75	13...18	223	GV2ME203	
9	15	40	11	4	75	17...23	327	GV2ME213	
11	15	40							
11	15	40	15	4	75	20...25	327	GV2ME223	

Contact blocks

Description	Mounting	Maximum number	Type of contacts	Sold in lots of	Unit reference
Instantaneous auxiliary contacts	Front	1	N/O + N/C	10	GVAE113
			N/O + N/O	10	GVAE203
	LH side	2	N/O + N/C	1	GVAE113
			N/O + N/O	1	GVAE203

Accessory

Description	Application	Sold in lots of	Unit reference
Cable end reducer	For connection of conductors from 1 to 1.5 mm ²	20	LA9D99

⁽¹⁾ For connection of conductors from 1 to 1.5 mm², the use of an LA9 D99 cable end reducer is recommended.

⁽²⁾ Maximum rating which can be mounted in enclosures GV2MC or MP, please consult your Regional Sales Office

⁽³⁾ The thermal trip setting must be within the range marked on the graduated knob.

* > 100 kA.

TeSys protection components

Thermal-magnetic motor circuit breakers GV2P

DF526137.fr



GV2P10

Motor circuit breakers from 0.06 to 15 kW / 400 V											
Standard power ratings of 3-phase motors 50/60 Hz in category AC-3									Setting range of thermal trips (2)	Magnetic tripping current I _d ± 20 %	Reference
400/415 V			500 V			690 V					
P	I _{cu}	I _{cs} (1)	P	I _{cu}	I _{cs} (1)	P	I _{cu}	I _{cs} (1)	A	A	
kW	kA	%	kW	kA	%	kW	kA	%			
GV2 P: control by rotary knob											
Screw clamp terminals											
—	—	—	—	—	—	—	—	—	0.1...0.16	1.5	GV2P01
0.06	*	*	—	—	—	—	—	—	0.16...0.25	2.4	GV2P02
0.09	*	*	—	—	—	—	—	—	0.25...0.40	5	GV2P03
0.12	*	*	—	—	—	0.37	*	*	0.40...0.63	8	GV2P04
0.18	*	*	—	—	—	—	—	—	—	—	—
0.25	*	*	—	—	—	0.55	*	*	0.63...1	13	GV2P05
0.37	*	*	0.37	*	*	—	—	—	1...1.6	22.5	GV2P06
0.55	*	*	0.55	*	*	0.75	*	*	—	—	—
0.75	*	*	1.1	*	*	1.5	8	100	1.6...2.5	33.5	GV2P07
1.1	*	*	1.5	*	*	2.2	8	100	2.5...4	51	GV2P08
2.2	*	*	3	*	*	4	6	100	4...6.3	78	GV2P10
3	*	*	5	50	100	5.5	6	100	6...10	138	GV2P14
5.5	*	*	7.5	42	75	9	6	100	9...14	170	GV2P16
—	—	—	—	—	—	11	6	100	—	—	—
7.5	50	50	9	10	75	15	4	100	13...18	223	GV2P20
9	50	50	11	10	75	18.5	4	100	17...23	327	GV2P21
11	50	50	15	10	75	—	—	—	20...25	327	GV2P22
15	50	50	18.5	10	75	22	4	100	24...32	416	GV2P32

How to use the table : select your load operating voltage, then select its standard power value (below, in the same column). The appropriate circuit breaker is in the extreme right column, in the corresponding row. Example; GV2P04 can protect 0.12 and 0.18 kW under 400/415 V, and 0.18 kW under 440 V, and 0,37 kW under 500 V. No 500 V standard power value can fit GV2P04.

Motor circuit breakers up to 50 hp / 600 V, UL 60947-4-1 type E

GV2 (3)

To obtain a GV2 P motor circuit breaker, UL 60947-4-1 type E, use the following with the circuit breaker:

- a "Large Spacing" adapter **GV2GH7**.

(1) As % of I_{cu}.

(2) The thermal trip setting must be within the range marked on the graduated knob.

(3) Accessory: see page 16.

* > 100 kA.

TeSys protection components

Thermal-magnetic circuit breakers GV2RT

PB111883.eps



GV2RT

For motors with high current peak on starting

Control by rocker lever

Standard power ratings of 3-phase motors 50/60 Hz in category AC-3					Setting range of thermal trips (1)	Magnetic tripping current I _d ± 20 %	Reference
220/ 230 V	400/ 415 V	440 V	500 V	690 V			
kW	kW	kW	kW	kW	A	A	
0.06	0.09	0.09 0.12	–	–	0.25...0.40	8	GV2RT03
–	0.12 0.18	0.18	–	0.37	0.40...0.63	13	GV2RT04
0.09 0.12	0.25 0.37	0.25 0.37	0.37	0.55	0.63...1	22	GV2RT05
0.18 0.25	0.37 0.55	0.37 0.55	0.37 0.55 0.75	0.75 1.1	1...1.6	33	GV2RT06
0.37	0.75	0.75 1.1	1.1	1.5	1.6...2.5	51	GV2RT07
0.55 0.75	1.1 1.5	1.5	1.5 2.2	2.2 3	2.5...4	78	GV2RT08
1.1	2.2	2.2 3	3	4	4...6.3	138	GV2RT10
1.5 2.2	3 4	4	4 5.5	5.5 7.5	6...10	200	GV2RT14
2.2 3	5.5	5.5 7.5	7.5	9 11	9...14	280	GV2RT16
4	7.5	7.5 9	9	15	13...18	400	GV2RT20
5.5	9 11	11	11	18.5	17...23	400	GV2RT21

(1) The thermal trip setting must be within the range marked on the graduated knob.

For primaries of 3-phase transformers

Control by rocker lever

Standard power ratings					Setting range of thermal trips (2)	Magnetic tripping current I _d ± 20 %	Reference
230/240 V	400/415 V	440 V	500 V	690 V			
kW	kW	kW	kW	kW	A	A	
–	–	–	–	–	0.25...0.40	8	GV2RT03
–	–	–	–	–	0.40...0.63	13	GV2RT04
–	–	0.63	0.63	1	0.63...1	22	GV2RT05
0.4	0.63	1	1	–	1...1.6	33	GV2RT06
0.63	1	–	1.6	1.6 2	1.6...2.5	51	GV2RT07
1	1.6 2	1.6 2	2 2.5	2.5	2.5...4	78	GV2RT08
1.6 2	2.5	2.5 4	4	4 5 6.3	4...6.3	138	GV2RT10
2.5	4 5	5	5 6.3	–	6...10	200	GV2RT14
4	6.3	6.3	–	10 12.5	9...14	280	GV2RT16
5 6.3	10	10	10 12.5	10	13...18	400	GV2RT20

Accessory (3)

Description

Padlockable external operator (IP 54)
black handle, blue legend plate

Reference
GV2AP03

(2) The thermal trip setting must be within the range marked on the graduated knob.

(3) Other accessories such as mounting, cabling and marking accessories are identical to those used for GV2 ME motor circuit breakers, see page 17.